

Cruzin Cooler®

PATENTS PENDING

Patent # D516,869



Owner's Manual

51 SERIES CRUZIN COOLERS

TABLE OF CONTENTS

1.	SAFETY INFORMATION	2
2.	ASSEMBLY	3
3.	FINAL ASSEMBLY POINTS	4
4.	HOW TO OPERATE	5
5.	USING YOUR CHARGER	6
6.	OPERATION AND LEGAL ISSUES	7
7.	NORMAL MAINTENANCE	7
8.	RECOMMENDED MAINTENANCE.....	7
9.	HOW TO CLEAN YOUR COOLER.....	8
10.	WARRANTY	8
11.	DISCLAIMER	8
12.	SERVICE	9
13.	ACCESSORIES	9
14.	REGISTRATION	9
15.	PARTS	9
16.	TROUBLESHOOTING	9
17.	TECHNICAL SPECIFICATIONS.....	11
18.	REPLACEMENT PARTS	12
19.	ELECTRICAL	12

1. SAFETY INFORMATION



IMPORTANT SAFETY INFORMATION! Cruzin Coolers are motorized vehicles and as such are inherently dangerous. A driver or passenger may suffer serious injury or death while operating this vehicle. **Extreme caution** should be used while operating these units. All riders need to wear protective gear including an approved helmet. These units are designed for operation with only one passenger not weighting more than 200 pounds and at least 16 years of age. It is ultimately up to the parents of children to decide if their children are old enough to ride a Cruzin Cooler and are solely responsible for their decision. These coolers are designed to be used on **flat level paved surfaces only!** Grades may make the cooler run at excessive speeds downhill. Many of the coolers are of a three-wheel design. This design is known to be less stable than a 4-wheel configuration, which could cause the cooler to become unstable and cause an accident. Again, extreme caution should be used while riding this vehicle. These coolers primarily use a single braking system and at some point in time the system could possibly fail. The operator should use their feet (with rubber soled shoes) to stop the vehicle if this occurs or in conjunction with the existing braking system. Rubber soled shoes are recommended for all operators.



IS IT LEGAL TO OPERATE? Cruzin Coolers may or may not be legal to operate on public property. You should contact local law enforcement offices where you are going to be operating your cooler to see if it is legal or not. Many jurisdictions may allow the electric version to be operated in the same class as disabled person's vehicles. Check with the local law jurisdiction before use.



ACCIDENT PREVENTION An accident may be caused from the front tire hitting an obstacle, such as a rock or hole, which it is unable to go over. This will cause the short wheel based cooler to flip forward. Always operate the Cruzin Cooler on smooth level pavement free of obstacles and holes.

2. ASSEMBLY

Your Cruzin Cooler comes with the front end disassembled. Follow the following steps to assemble.

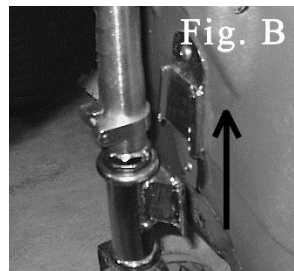
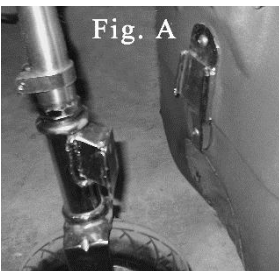
STEP 1:

Unpack the box and check for the following components (Keep the box if you ever need to return the cooler for service):

- A. Cooler body with motor and lid.
- B. Lower front fork with tire.
- C. Upper steering "T" bar assembly.
- D. Tool kit.
- E. Registration Card.
- F. Owners Manual.

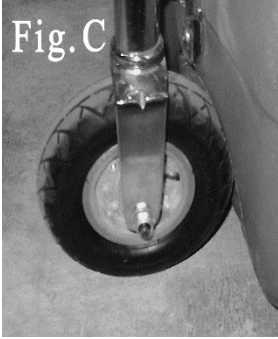
STEP 2:

Slide lower fork assembly into slot on front end of cooler starting from the bottom sliding in an upward motion, shown below in Fig. A and Fig. B, until safety clip latches front end into place. If safety latch does not catch, the front end may come loose while riding and could cause damages or serious injury.

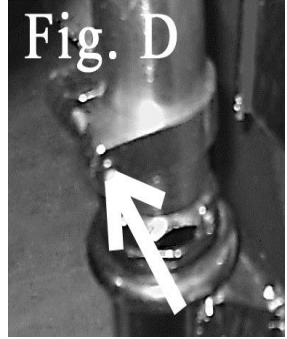


STEP 3:

Slide upper “T” bar onto lower fork assembly. Be sure retainer clip is around upper “T” bar. Face “T” bar so that holes for handles are facing away from driver. Front fork is slightly offset for tire stability so the tire is slightly back. Be sure that front tire is in position so that it is closer to cooler

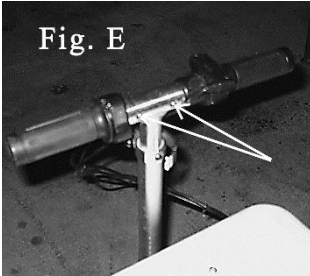


body or look for “forward” sticker on fork (see Fig. C left) Tighten clamp to secure upper “T” bar. Tighten clamp with enclosed allen wrench so that upper “T” bar is secure and unable to be turned separately from lower fork, Fig. D.



STEP 4:

Insert throttle and brake handle into the ends of the “T” handle with the throttle on the right side, when you are sitting on the cooler. The handlebars must be inserted completely into the “T” bar so that the retainer buttons are clearly visible through the “T” bar lock holes. Failure to fully engage the handles into the “T” bar may cause serious injury. See Fig. E.



Must see retainer pins in holes, Fig. E.

STEP 5:

You can adjust the handlebars to the desired height by loosening the upper clamp and tightening where desired.

3. FINAL ASSEMBLY POINTS

Be sure that the clamp is tight on the lower “T” bar, Fig. D. If this is loose or becomes loose the front tire may turn unexpectedly; independent of the steering “T” handle. This could cause an accident.

stay towards the right as you come in and then turn 90 degrees left to turn the cooler around.

- I. NEVER TURN YOUR COOLER SHARPLY while going over 1mph unless you are a skilled driver. The coolers are designed so that the foot pegs will drag to prevent the cooler from tipping on its side; however they can still tip if the speed is high enough and the turn is too sharp.
- J. In the event of a brake failure you are required to put your feet down to stop your cooler. Stop your cooler by placing your feet (with rubber soled shoes) down and is considered secondary or backup braking

5. USING YOUR CHARGER

- A. Do not leave your charger charging more than overnight. This just eliminates the possibility of a fire, although no fire has ever been recorded. Also put the charger on a non combustible surface whenever possible and keep the cooler away from other combustibles and fuels when charging. These are precautionary measures only but designed to improve safety.
- B. The unit will not go with the charger plugged into the back of the cooler.
- C. BE SURE YOU ARE USING THE RIGHT CHARGER!!! If you have multiple coolers you need to be sure you do not mix the chargers up. Two battery units (250's to 500's) are 24V. The 750's have 3 batteries and are 36V and the 1000's have 4 batteries and are 48V. Mixing the chargers up can cause a fire and ruin the batteries!! You can look on the back of the charger and see the OUTPUT voltage.
- D. The 1000 watt batteries have a separate charger port so they can be charged outside of the unit. This allows the use of a backup battery while the other one is charging.
- E. Turn off power switch before charging.
- F. Plug charger into Cooler first and then into wall outlet. The red light on the charger will come on if the batteries need charging. If the red light does not come on and you know that the unit needs charging you may have a service problem. Some chargers do not have lights.
- G. Charger will need 6-8 hours of charging to reach the full battery capacity if unit is completely dead.
- H. Unplug charger from unit and place rubber socket protector back over charging port.

6. OPERATION AND LEGAL ISSUES

Operation on public property (roads and highways) is governed by Federal, State and Local laws. This cooler might or might not be legal in some cities or counties around the US; therefore it is up to the operator to check on the legality of the operation of these coolers on public property. It is possible that they may be legal in one city and against the law in another. You can basically ride any place the upright two wheeled scooters run.

The electric coolers are more likely to be legal than gas units. This is because of the legality of disabled electric vehicles in many cities. It is solely the responsibility of the operator to find out if it is legal to operate the cooler at any particular location.

7. NORMAL MAINTENANCE

Be sure to see if your chain needs tightening. It must not be too tight or too loose. If the chain is too tight it will keep the cooler from operating at full speed and will use more power. If the chain is too loose it will come off or start slipping. This will prematurely wear the sprocket teeth down.

Check the tires for wear and proper inflation. If the tire pressure is too low it could cause the cooler to run slow and might drag the bottom over small obstacles. If the tires are inflated too high they may hit the support brackets or explode. Inflate to the maximum pressure rating of the tire as shown on the sidewall.

Be sure the front clamp for the “T” bar is tight and the brakes are working well.

Check wheel bearings and front end bearings for wear and tear. It is possible for these to eventually wear out and become dangerous.

8. RECOMMENDED MAINTENANCE

	100 miles	200 miles	400 miles	600 miles
Brakes	A	A	A	A
Tires	I	I	I	I
Cables	A	A	A	A
Spark Plug	I	R	I	R
Chain	L, A	L, A	L, A	L, A

C-Clean R-Replace I-Inspect A- Adjust L-Lubricate

9. HOW TO CLEAN YOUR COOLER

You can clean the cooler with soap and water or even a powdered bleach product for the food and beverage area. Do not get water into the motor area. This could cause failure of electrical components. You can wipe down your motor and motor area with normal motor cleaning products. DO NOT use alcohol, solvents, alcohol-based products, or ammonia based products. These products may melt or discolor plastics and decals.

10. WARRANTY

Manufacturer warranties products to be free of manufacturing defects for a period of 120 days from the date of original purchase. This warranty does not cover wear and tear, tires, tubes, brakes or cables, overloading, physical damages or failure from misuse. This limited warranty is issued to the original purchaser only. If there is a defect in workmanship or materials during the warranty period, we will repair, replace or refund the product, at our option. This warranty is voided if the product is used in a manner other than for what it was designed for, modified in any way, overloaded, leased or rented, used for racing or for off road purposes, unreasonably used, improperly assembled, or damaged by accident, negligence, or misuse. The manufacturer is not liable for incidental or consequential damages or losses due directly or indirectly from the use of this product. THIS LIMITED WARRANTY EXCLUDES shipping costs, compensation for inconvenience or loss of use, any consequential or incidental damages. RETURNS must be authorized by Cruzin Cooler, must be within the warranty period and must be returned to our facilities for repair, replacement or refund.

11. DISCLAIMER

Purchaser/user/assigns shall indemnify, protect, defend and hold harmless Cruzin Cooler, LLC its partners, officers, employees and agents, from and against any and all claims, costs, liabilities, losses, damages, injuries, judgments and expenses (collectively, the Claims" including, without limitation, attorney's fees, court costs, including those incurred at the trial and appellate levels and in any bankruptcy, reorganization, insolvency or other similar proceedings, and other legal expenses, arising out of or resulting from: (i) accidents, injuries or death from Cruzin Cooler products: (ii) any misrepresentation, breach of warranty or negligence of Cruzin Cooler, it's directors, officers, managers, employees or agents, and (iii) incidental or consequential damages or losses due to directly or indirectly from the use of this product. I have read the Safety Warnings,

Warranty and Disclaimer and understand and agree to these terms, as a condition of operation of any Cruzin Cooler product.

12. SERVICE

The most current service information can be obtained online at the Cruzin Cooler's web site, www.cruzincooler.com. We have service facilities throughout the United States and around the world. Please go to Service to see the authorized repair facilities. We always recommend that the owner keep the original box in the event that the cooler needs to be sent in for service. Email service@cruzincooler.com for questions.

13. ACCESSORIES

You can order any accessory we offer online at www.cruzincooler.com. You can also purchase most accessories from any retailer where you purchased the original unit from.

14. REGISTRATION

There are two ways to register; you can either register your cooler by email to register@cruzincooler.com, or by mailing the registration form to the address on the enclosed card.

15. PARTS

Any part you could ever need is available online at www.cruzincooler.com. We stock over 10,000 parts for your cooler everyday. Parts are quick and easy to order and recommend that all parts be ordered over the Internet, to be sure that you can verify the parts you are ordering, to prevent possible mistakes.

16. TROUBLESHOOTING

A. The electric unit will not start, what should I do?

Here is the checklist in order of things to check, however if you go to www.cruzincooler.com and go to the service area you will find a variety of useful articles and videos on how to fix your cooler.

1. The light on the back does not light up when I flip the switch. Look for a loose wire or a tripped reset breaker. The light is the first thing that gets power from the battery. If the light turns on at the handlebars the light in the switch may be burned out.
2. The red light is on in the back but the lights are not coming on at the throttle. Look for a loose wire to the throttle up front.

3. The charger never turns red when I plug it in, just stays green. Check for loose wire at the charger port. You may have a bad charger or ECU (Electronic Control Unit). You can use a volt meter to check the output of the charger compared to the output printed on the charger. It should be about 2V higher.
4. The light in the back is on and also the red light on the throttle but it won't go. Be sure you are not depressing the brake and that the charger is unplugged from the unit. Check for loose wiring. Use a volt meter to check the battery voltage into the ECU to be sure it is the rated voltage of your unit. If no power ohm breaker and check wires at battery terminals.
5. The lights on the handlebars turns yellow only after a few minutes of riding and the light turned green on the charger. More than likely you have a bad cell in a battery; otherwise it is the charger or ECU. Check voltage from your charger and also check the voltage to the MOTOR from the ECU to see if you get a big drop from the battery or the output when the throttle is depressed. If the voltage from the battery input to the ECU stays close to the output voltage to the motor you have a bad battery. You can have the batteries checked free at most auto parts stores and battery stores.
6. There is a clicking noise when I drive. Probably a bad bearing. Could be bent tooth on drive gear, loose gear on motor or bent chain guard.
7. Seems too slow. Check to make sure all wheels are turning freely. The rear power wheel will have some resistance but be sure the brakes are not hanging up. If so adjust them so the wheel turns freely. The larger nut on the brake allows the brake to move from side to side. You may need to adjust this to keep the brake caliper from rubbing the side of the brake disk. Also tire pressure is critical, low pressure will run the batteries down quickly! Be sure tires are filled to the maximum specified on the wheel.

B. My unit is under warranty and it won't start, what should I do?

Follow the steps above to try to solve your problem first. If you still have problems you can either call Cruzin Cooler at 800-359-5199 or email service@cruzincooler.com.

C. What do I do if I need parts?

This is one of our biggest target areas for complete customer satisfaction. One of the biggest complaints from other people who buy items from overseas is lack of parts and service, therefore we will stock everything you could ever need for your cooler, all the time.

D. What do I do if I wrecked my cooler and it needs service?

If you damage your cooler beyond normal repair you can ship it to a service center. You can also call 800-359-5199 or you can also email service@cruzincooler.com. You can also click the service tab at www.cruzincooler.com for service centers near you.

E. The Batteries

The batteries in your unit are sealed lead-acid batteries. If you notice a leak or crack in a battery dispose of it immediately, according to local disposal of hazardous waste laws

17. TECHNICAL SPECIFICATIONS

The following technical specifications are the best data available at the time of printing. Some specifications may be different than what is shown in the table below.

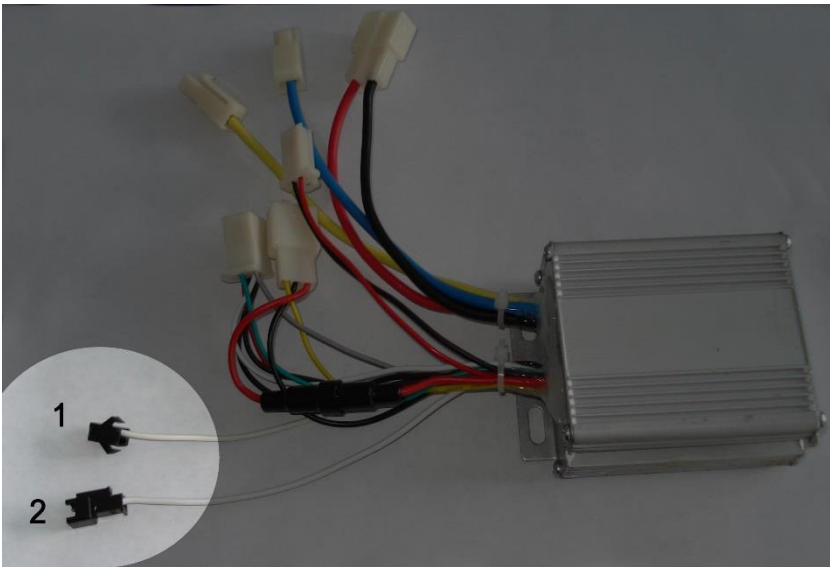
PRODUCT SPECIFICATIONS										
Product Name	Voltage	Height cm/in	Length cm/in	Width cm/in	Weight kg/lb	Wgt Cap kg/lb	Storage Capacity	Speed km/mph	Batteries	Motor
51 Series 300 Watt	24v	47/18.5	70/27.5	47/18.5	34/75	113/250	24 cans-1ice	20.9/13	2-12v/10ah	300 watt
51 Series 500 Watt	24v	47/18.5	70/27.5	47/18.5	38.5/85	113/250	24 cans-1ice	20.9/13	2-12v/15ah	500 watt
51 Series 700 Watt	36v	47/18.5	70/27.5	47/18.5	40.8/90	113/250	24 cans-1ice	20.9/13	3-12v/15ah	700 watt
51 Series 750 Watt	36v	47/18.5	70/27.5	47/18.5	40.8/90	113/250	24 cans-1ice	20.9/13	3-12v/15ah	750 watt
50 Series Coolagons	n/a	47/18.5	70/27.5	47/18.5	15.5/32	113/250	72 cans-1ice	n/a	n/a	n/a
51 Series 1000 Watt	48v	47/18.5	70/27.5	47/18.5	40.8/90	113/250	24 cans-1ice	20.9/13	4-12v/10ah	1000 watt
Cooler Scooter 250	24v	47/18.5	70/27.5	47/18.5	25/55	113/250	24 cans-1ice	20.9/13	2-12v/ah	250 watt

18. REPLACEMENT PARTS

Due to the number of replacement parts available it must be viewed online at WWW.CRUIZINCOOLER.COM under parts.

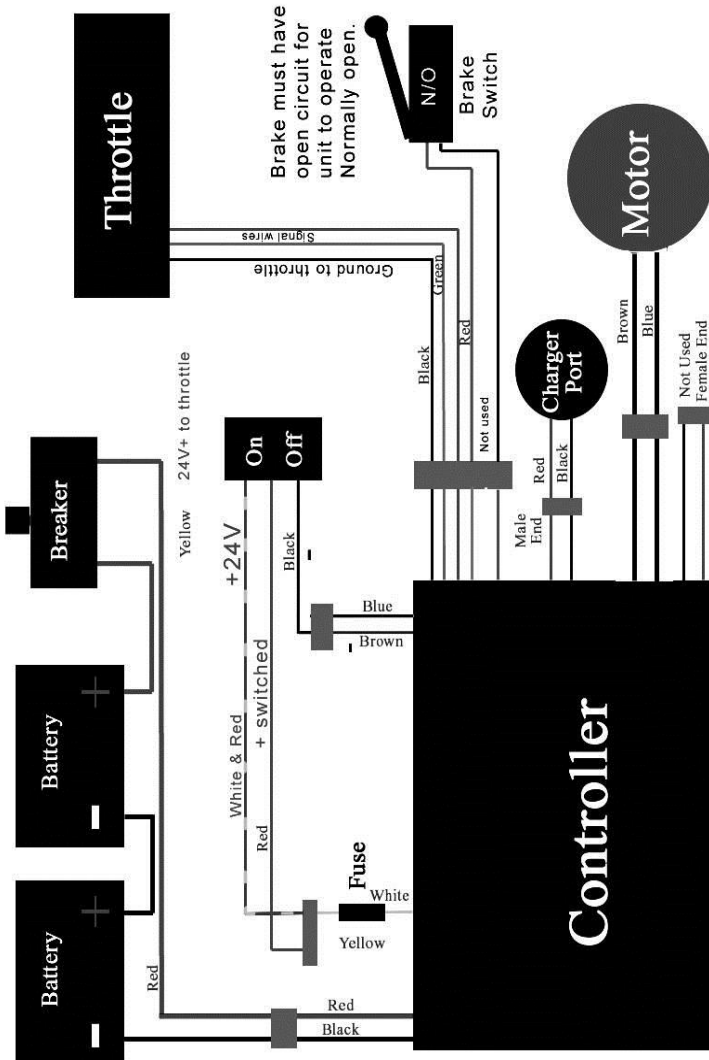
19. ELECTRICAL

A speed reducer may be on some units as shown in the light colored circle. These two ends are connected which slows down the unit. You may also see two white wires on the newer models which go into a plastic connector. If these white wires are connected it will slow the cooler down. There are speed reducers available for those who would like one online under parts.

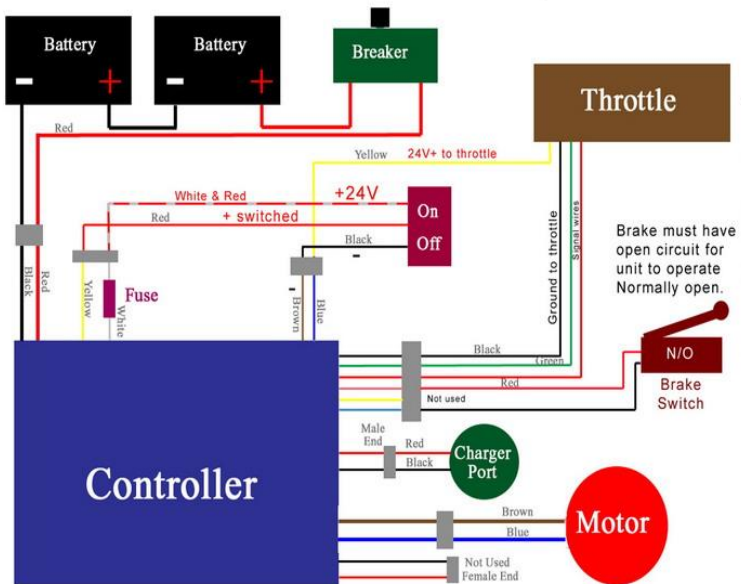
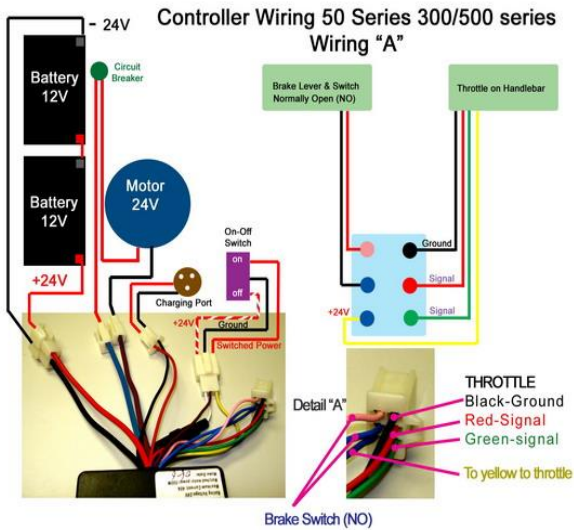


PREVIOUS MODEL 50 SERIES WIRING

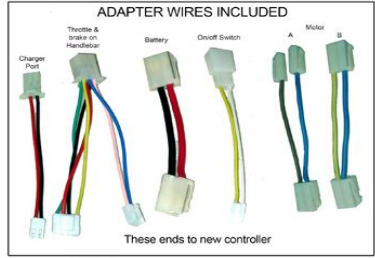
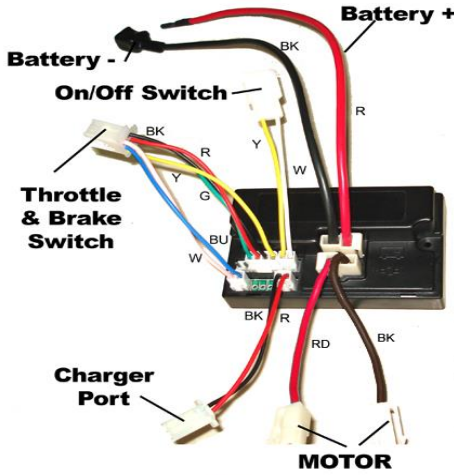
Other diagrams are also available online under service



PREVIOUS MODEL WIRING DIAGRAMS



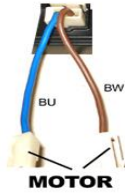
NEW MODEL 51-52 SERIES WIRING



RETRO KIT Part# 51-0525, 51-0524

This kit includes all wires to adapt older controllers to this new controller. Included in the kit is all of the wires necessary to quickly and easily convert to the new controller. You may not need the motor adapter wires or battery adaptor wires because the older wires may plug directly into the new controller. Do not use these wires if they are not needed. Be sure you do not connect a new controller for 300 watts to a 500 watt unit. This will cause damage the controller. For additional information see:

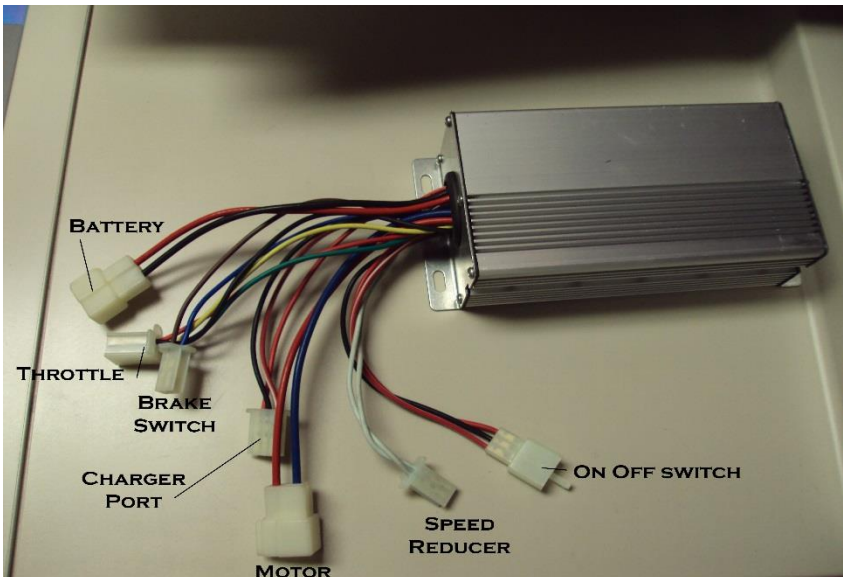
www.cruzincooler.com/service.htm



ALTERNATE COLORS

Motor may also use alternate color wires on some models where the red is blue and brown is black as shown on the left. If motor runs backwards just reverse these 2 wires.

NEW MODEL 52 SERIES WIRING, 1000 WATT





- SALES
- SERVICE
- PARTS

To order parts, accessories or for more information about new Cruzin Cooler products go online to:

www.cruzincooler.com

Cruzin Cooler, LLC is the exclusive global importers of Cruzin Coolers and has licensed patents or patents pending on the concepts and designs surrounding our motorized ice chests.

Copyrights, trademarks, patents and designs are the sole and exclusive property of Cruzin Cooler, LLC. Federal Law strictly prohibits the unauthorized reproduction, copying or use of any mark, design or copyrighted material. All rights reserved.

MADE IN USA

Specifications may change without notice.

Cruzin Cooler, LLC Houston, TX
Revision 04-05-11. ©Copyright 2005-11 Cruzin Cooler, LLC.
Patents Pending-All rights reserved.